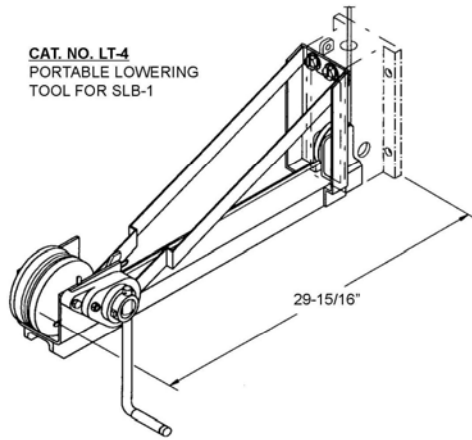
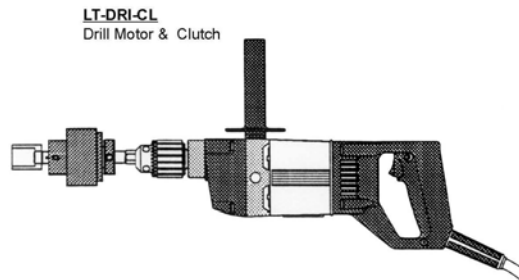


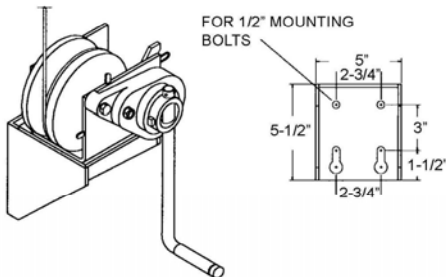
All gear boxes and lowering tools are of heavy duty design to provide reliability, long life, and ease of operation. They incorporate heat treated gears for maximum durability and strength. All are equipped with a special automatically actuated disc brake for better load holding ability and the prevention of the load free wheeling. They are available for permanent installation or portable use indoors or outdoors for wall mounting or pole mounting. Each system is custom tailored to work with required load and operation for the raising/lowering specifications.



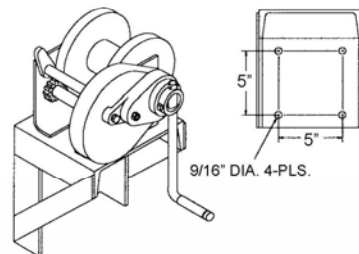
**CAT. NO. LT-4**  
PORTABLE LOWERING  
TOOL FOR SLB-1



**LT-DRI-CL**  
Drill Motor & Clutch



**CAT. NO. GB-2P**  
PERMANENT OR PORTABLE  
WALL MOUNTED GEAR BOX FOR  
FIXTURES UP TO 400 LBS.



**CAT. NO. GB-3P**  
PERMANENTLY MOUNTED GEAR  
BOX FOR FIXTURES UP TO 1100 LBS.

CAT. #	MIN. LOAD LBS	DRUM CAPACITY	WEIGHT LBS.
GB-2P	16	125 FT.	20
GB-2PA	16	250 FT.	22
GB-3P	25	70 FT.	42
GB-3PA	25	140 FT.	45

- \* All Lighting & Lowering Systems gear boxes and lowering tools are designed for material handling usage only.
- \* Not for lifting people or things over people.
- \* Specifications subject to change without notice.