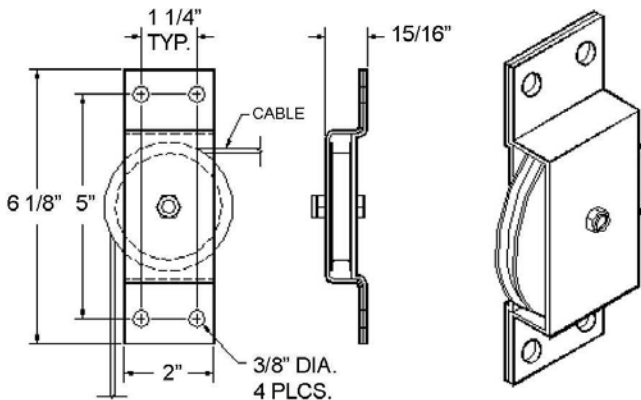


3P-6

Various types of pulleys are available and should be designed for exact load and gear box. All pulleys have oilite bronze bearings for maintenance free life. This also insures their use for dirty atmosphere applications. Painted pulleys are available for highly corrosive areas. Pulleys can be spaced 6-30' apart on horizontal runs. A pulley must be used at every 30' of horizontal straight runs. Pulleys are required when vertical or horizontal changes in direction occur. It is important that pulleys are properly aligned. The centerline of the pulley-sheave groove must coincide with the centerline of the cable path when installing. Always take pulley friction into consideration if loads are near limits of the gear box. Pulleys must be installed on rigid surfaces which are able to withstand at least 5 X load of the fixture in all directions. The installation must be approved by others.



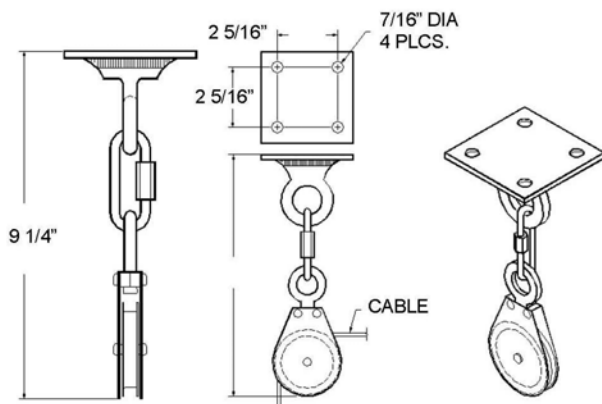
3P-3

3P-6

Load capacity for a 3P-6 pulley is 20-400 lbs. A 3P-6 pulley can facilitate a change in direction of the cable from wall to ceiling i.e. from vertical to horizontal. 3P-6 pulleys should be spaced 6-30' apart on horizontal runs. Change in direction of cable to angles other than 90 degrees is possible. See page p3 for details. This pulley allows the twisted quick-link to pass through.

3P-3

Load capacity for a 3P-3 pulley is 20-400 lbs. A 3P-3 pulley can facilitate a change in direction of the cable on the same plane. See page p3 for examples and details.

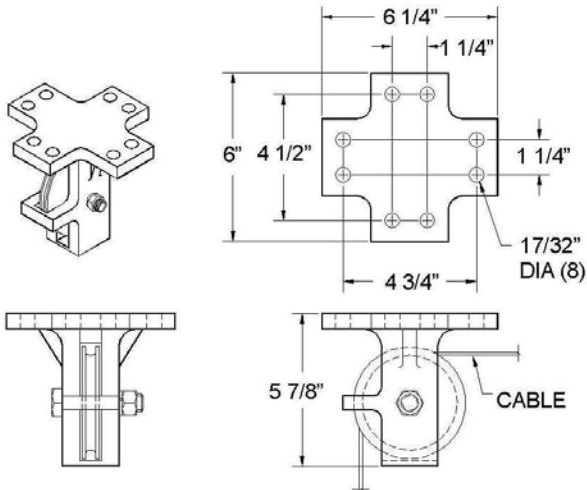


3P-5

3P-5

Load capacity for a 3P-5 pulley is 20-400 lbs. A 3P-5 pulley can facilitate a change in direction of the cable in different planes due to the swivel nature.

* Specifications subject to change without notice.



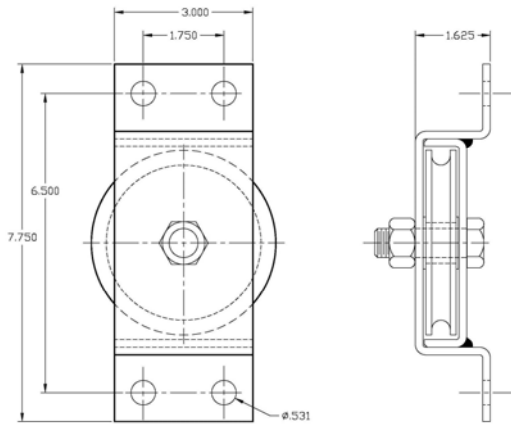
4P-4

4P-4

Load capacity for a 4P-4 pulley is 400-1100 lbs. A 4P-4 pulley can facilitate a change in direction of the cable from wall to ceiling i.e. from vertical to horizontal. 4P-4 pulleys should be spaced 6-30' apart on horizontal runs. Change in direction of cable to angles other than 90 degrees is possible. See page p3 for details.

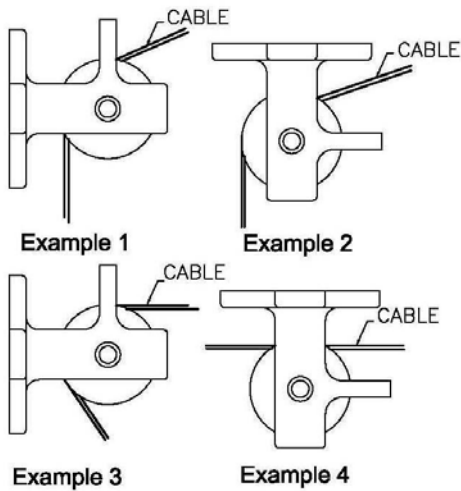
4P-3

Load capacity for a 4P-3 pulley is 400-1100 lbs. A 4P-3 pulley can facilitate a change in direction of the cable on the same plane. See page p3 for examples on uses of 4P-3 pulley.



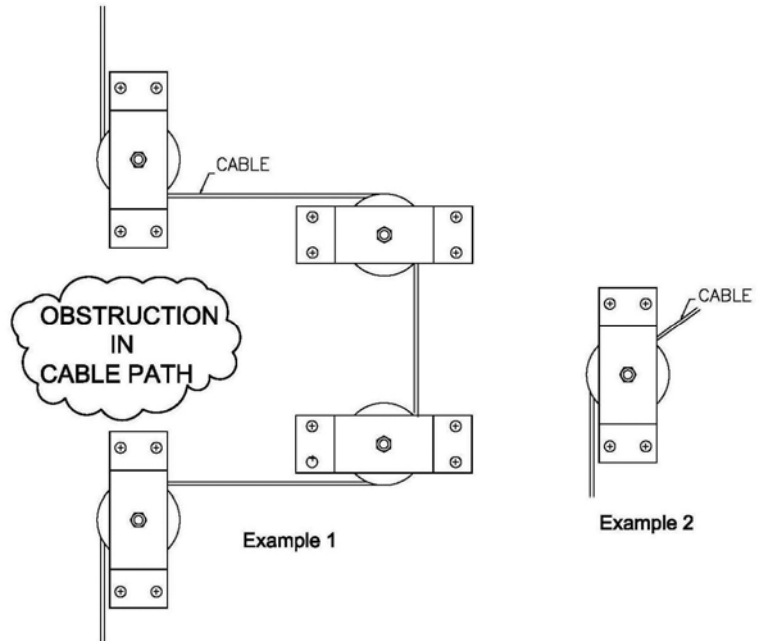
4P-3

* Specifications subject to change without notice.



3P-6 and 4P-4 Uses

3P-6 and 4P-4 pulleys (depending upon load) can facilitate a change in direction of the cable from wall to ceiling i.e. from vertical to horizontal. These pulleys should be spaced 6-30' apart on horizontal runs. The above examples show that change in direction of cable to angles other than 90 degrees is possible. These pulleys can be placed horizontally (examples 2 and 4), vertically (examples 1 and 3) and on inclined surfaces for maximum versatility as long as the cable path is aligned to the pulley sheave groove and as long as the cable path is not interfered by any obstacles.



3P-3 and 4P-3 Uses

3P-3 and 4P-3 pulleys (depending upon load) can facilitate a change in direction of the cable on the same plane. Example 1 is a simple way using 4 pulleys to go around an obstruction in the cable path.

* Specifications subject to change without notice. Details shown are intended as an application example only. Actual installation details may vary. Contact manufacturer's representative or factory for specific details about special installation application or other information. Lifting capacity is 400 lbs and must not be exceeded.

