

# SERIES 200

## HIGH PERFORMANCE OUTDOOR AREA LUMINAIRE

### SERIES 200 SPECIFICATION

Series 200 is a 25 inch Dia. round aluminum housing with vertical burning lamp (horizontal lamp with forward throw). The ballast is mounted on a removable tray for effortless installation and maintenance. Available in 150 to 400 watt high pressure sodium lamp, or 175 to 400 watt metal halide lamp. Available with (specify) 120, 208, 240, 277, 480 volt, or 4MT (120,208,240,277V) 60Hz ballast. Luminaire shall be completely pre-wired for ease of installation.

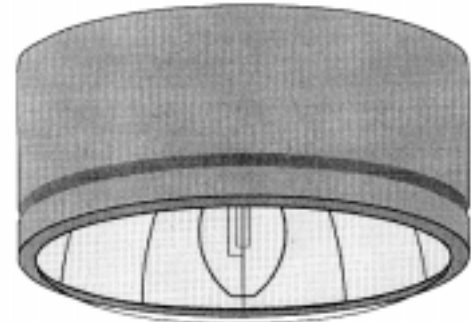
### BASIC PRODUCT DESCRIPTION

Housing and door shall each be constructed of one piece heavy gauge spun aluminum. Standard finish shall be powder coat paint. An internal one piece mounting plate for housing reinforcement and component mounting shall be provided.

The tempered convex lens is thermal shock and impact resistant. Its unique dacron gasketed filtering system allows luminaire to breathe, keeping ballast cooler and the optical system cleaner.

### BALLAST CHARACTERISTICS

The Series 200 shall contain a U.L. recognized High Power Factor, constant wattage auto-transformer type ballast. Will start and operate lamp down to -20°F (-30°C) for metal halide and -40°F (-40°C) for high pressure sodium. Mercury vapor lamps may be used in metal halide fixtures. For availability of 220/240V 50Hz ballast - consult factory.

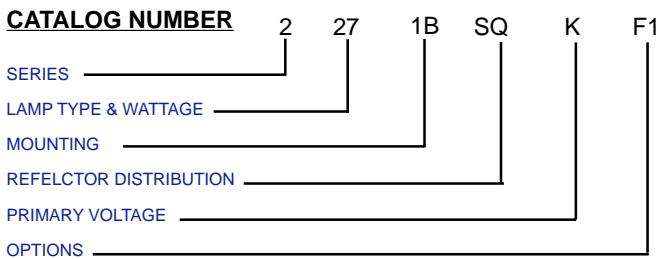


### REFLECTOR ASSEMBLY

Using various rotating optical systems this series is able to provide square, rectangular, forward throw, or symmetrical pattern cut-off light distributions. The square, rectangular, and symmetrical reflector system utilizes eight optically designed aluminum reflector segments. These reflector segments shall be contained and faceted with a electro-chemically brightened anodized finish. These reflectors are designed to produce peak candlepower at 65 degrees, while reducing the candlepower under the pole, in the 0 to 30 degree range, which produces maximum uniformity.

### ORDERING INFORMATION

Example:



| LAMP TYPE    | SUFFIX |
|--------------|--------|
| 175 Watt MH  | 25     |
| 250 Watt MH  | 26     |
| 400 Watt MH  | 27     |
| 150 Watt HPS | 15     |
| 250 Watt HPS | 16     |
| 400 Watt HPS | 17     |

| LIGHT DISTRIBUTIONS | SUFFIX |
|---------------------|--------|
| Square              | SQ     |
| Rectangular         | RT     |
| Symmetrical         | SY     |
| Forward Throw       | FT     |

| MOUNTING ARM* | SUFFIX |
|---------------|--------|
| Ex. Slip Fit  | AX     |
| Suspension    | DX     |
| 6" Arm Mnt.   | 1B     |
| 6" w/1.2"R.   | 1B1.2  |
| 6" w/1.4"R.   | 1B1.4  |
| 6" w/1.6"R.   | 1B1.6  |
| 6" w/1.8"R.   | 1B1.8  |
| 6" w/2.0"R.   | 1B2.0  |
| 12" Arm Mnt.  | 2B     |
| 12" w/1.2"R.  | 2B1.2  |
| 12" w/1.4"R.  | 2B1.4  |
| 12" w/1.6"R.  | 2B1.6  |
| 12" w/1.8"R.  | 2B1.8  |
| 12" w/2.0"R.  | 2B2.0  |

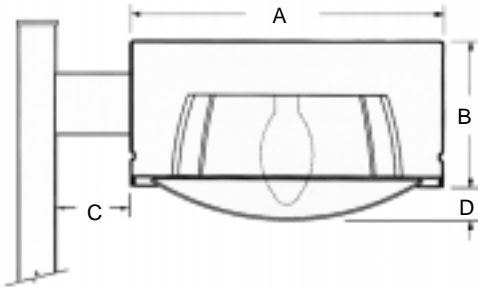
| FINISH | SUFFIX |
|--------|--------|
| Bronze | BRZ    |
| White  | WHT    |
| Silver | SLV    |
| Black  | BLK    |

For other finishes, Consult factory.

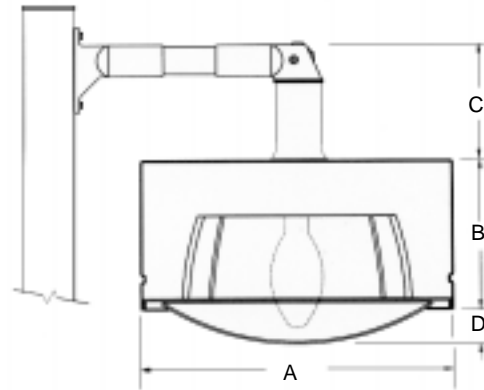
| PRIMARY VOLTAGES | SUFFIX |
|------------------|--------|
| 120 Volts        | G      |
| 208 Volts        | H      |
| 240 Volts        | J      |
| 277 Volts        | K      |
| 480 Volts        | L      |
| Quad Volt        | M      |

| OPTIONS           | SUFFIX |
|-------------------|--------|
| 120/277 V Fuse    | F1     |
| 208/240 V Fuse    | F2     |
| 480 V double Fuse | F3     |
| Photo cell        | PX     |

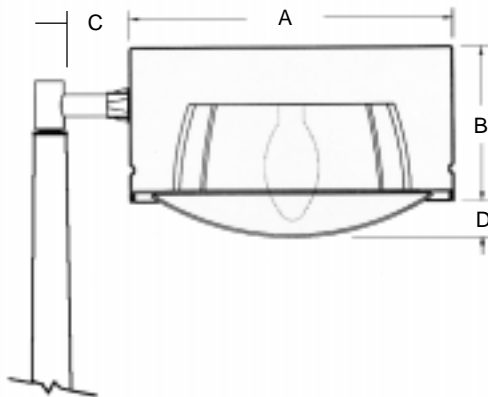
### ARM MOUNT 1B-2B TYPE



### SUSPENSION CONTACT MOUNT DX TYPE

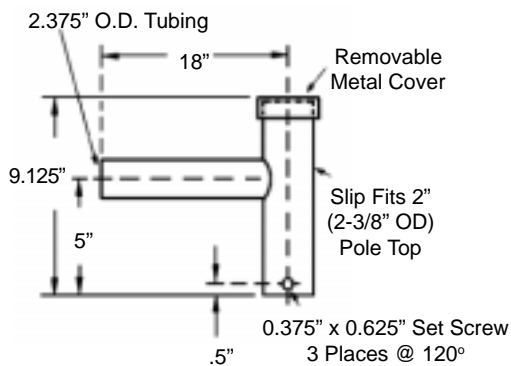


### EXTERNAL SLIP FITTER MOUNT AX TYPE

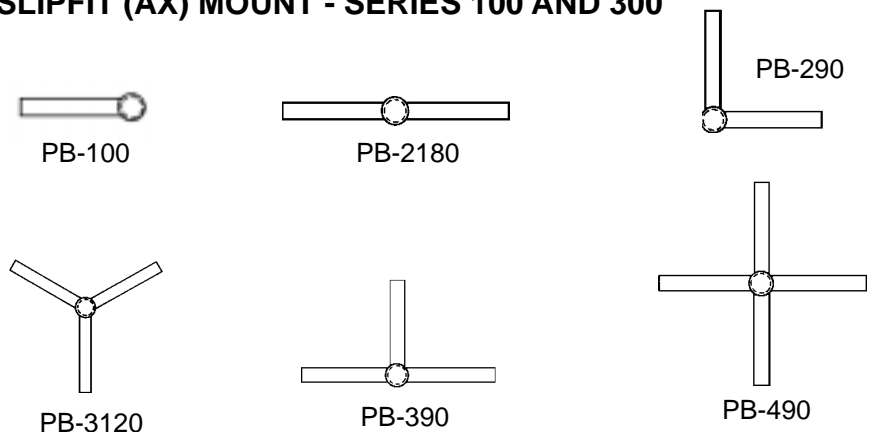


| DIMENSION DATA |           |                         |                       |
|----------------|-----------|-------------------------|-----------------------|
| DIM            | ARM MOUNT | SUSPENSION CONTACT MNT. | EXTERNAL CONTACT MNT. |
| A              | 25"       | 25"                     | 25"                   |
| B              | 12"       | 12"                     | 12"                   |
| C              | 6" OR 12" | 13.5"                   | 5-1/4"                |
| D              | 3.5"      | 3.5"                    | 3.5"                  |
| EPA            | 2.37      | 2.37                    | 2.37                  |
| WEIGHT         | 53 lbs    | 88 lbs.                 | 53 lbs.               |

### POLE MOUNTING BRACKETS FOR SLIPFIT (AX) MOUNT - SERIES 100 AND 300 (ORDER SEPARATELY)



TYPICAL DETAIL



### MOUNTING ARRANGEMENTS